

The George Table & Bench Setting

EM050



EM050 The George Setting with powder coated frame

Standard Specifications:

- Length: 1800mm
- Battens: hardwood timber oiled - bench 63 x 30mm
hardwood timber oiled - table 165 x 30mm
- Frames: galvanised steel
bench legs 50 x 50mm
table legs 100 x 100mm
- Fixture: surface, sub-surface, inground
- Finish: powder coated

Options:

- Length: 2100mm or customised
- Battens: painted, aluminium plank 250 x 50mm, composite timber
- Frames: stainless steel
- Finish: natural finish
- DDA: table DDA compliant (wheelchair access)

Option examples:



EM050 The George Setting with powder coated frame and DDA table (wheelchair access) option



Shelter option with setting, EM512 Grevillea Shelter and EM050 The George Setting



EM107 The George Bench with powder coated frame available separately

The George Table & Bench Setting

EM050

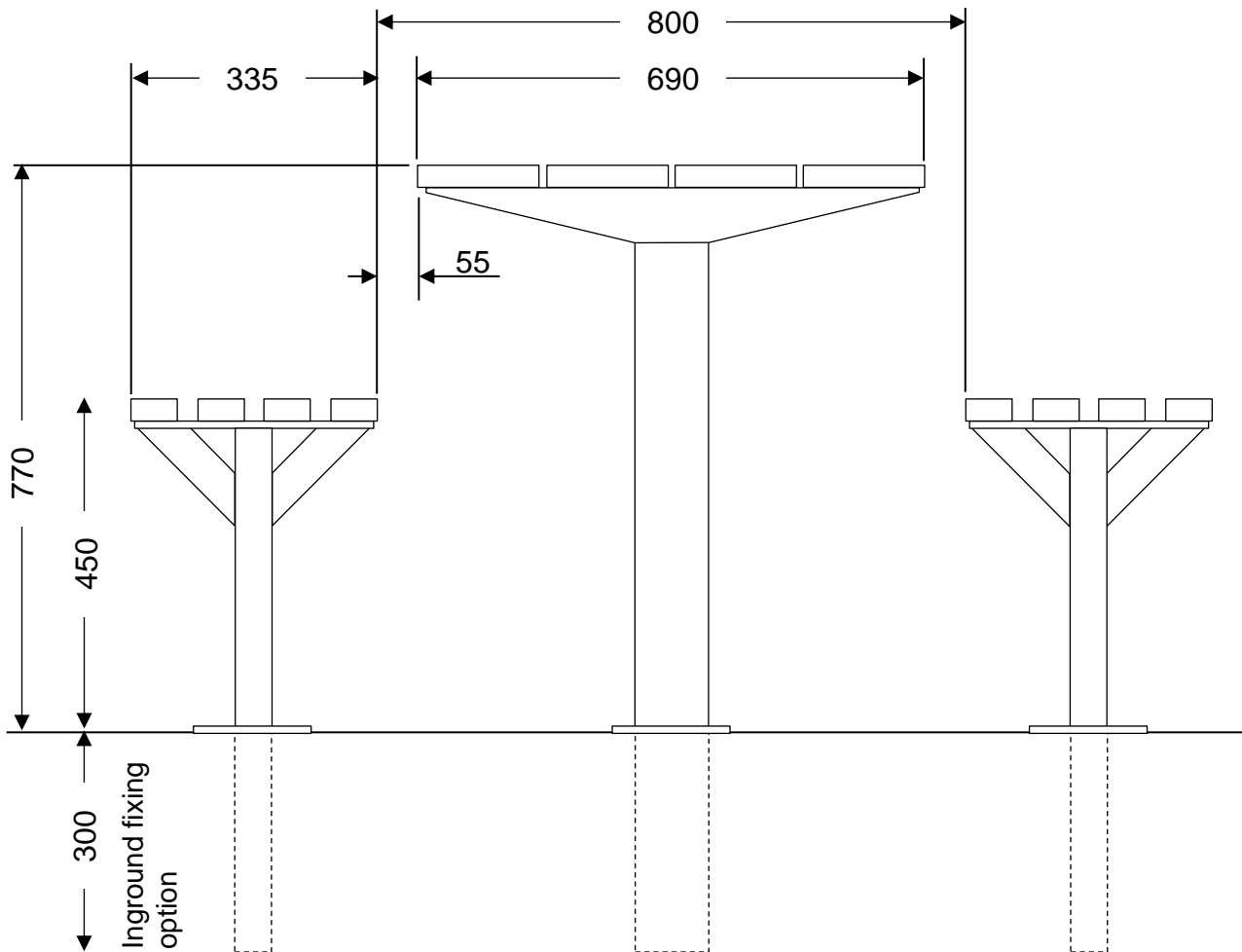


EMERDYN

02 9534 1314

sales@emerdyn.com.au

Dimensions



Dimensions – with DDA table option

